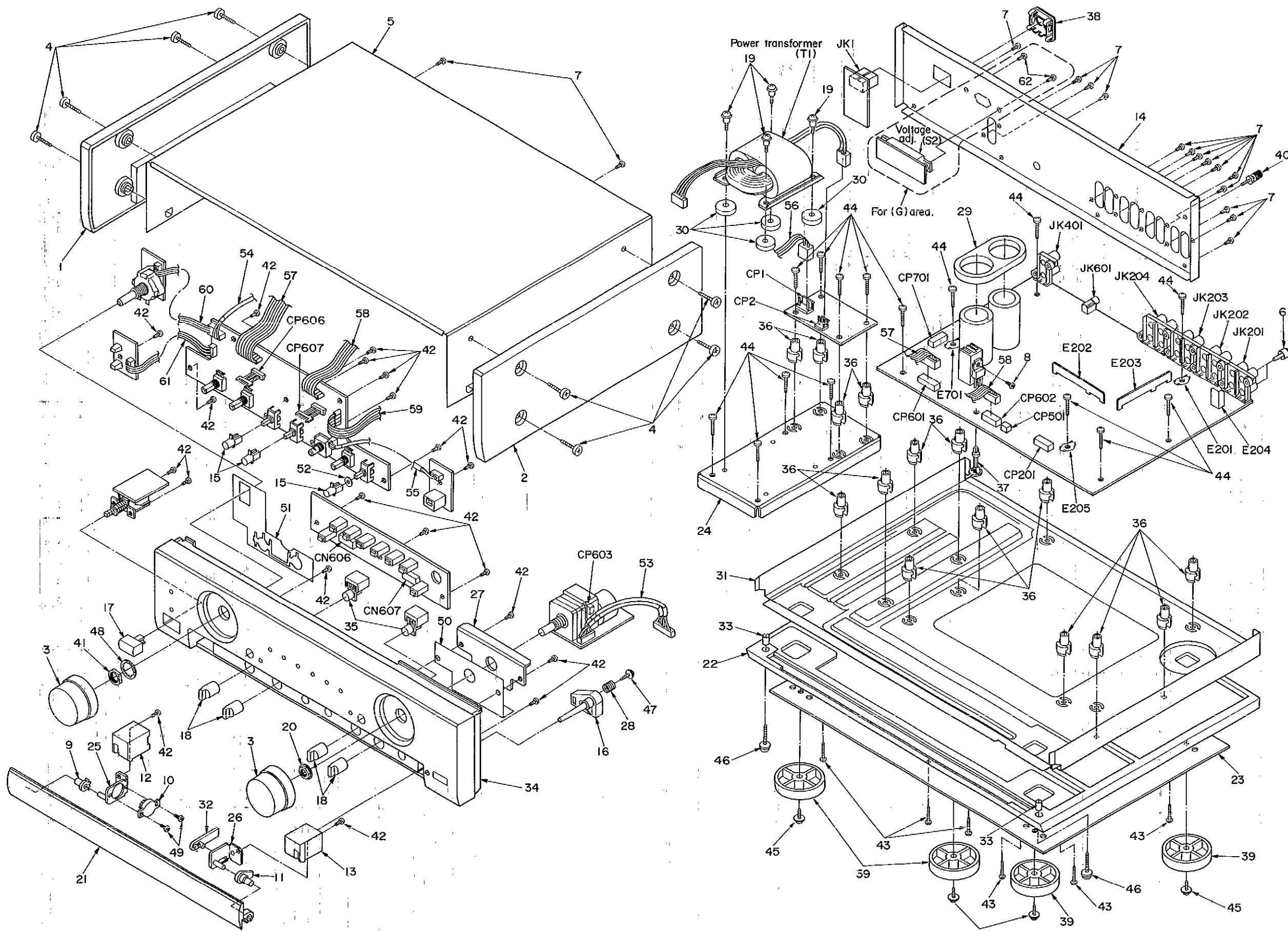


CABINET PARTS LOCATION



REPLACEMENT PARTS LIST

Notes: *Important safety notice:
 Components identified by Δ mark have special characteristics important for safety.
 Furthermore, special parts which have purposes of fire-retardant (resistors), high-quality sound (capacitors), low-noise (resistors), etc. are used.
 When replacing any of components, be sure to use only manufacturer's specified parts shown in the parts list.
 *The parenthesized indications in the Remarks columns specify the areas. (Refer to the cover page for area.)
 Parts without these indications can be used for all areas.
 *The "(SF)" mark denotes the standard part.

Ref. No.	Part No.	Part Name & Description	Remarks	Ref. No.	Part No.	Part Name & Description	Remarks
		CABINET AND CHASSIS		43	XTBS3+20FFZ1	SCREW	
				44	XTB3+20J	SCREW	
				45	XTWS3+8T	SCREW	
1	RFKNC2000EGA	SIDE PANEL (L) ASS'Y		46	XTW3+15T	SCREW	
2	RFKNC2000EGB	SIDE PANEL (R) ASS'Y		47	XTW3+8T	SCREW	
3	RGWJ180-K	VOLUME/SELECTOR KNOB		48	XWD12A	WASHER	
4	RHD30034	SCREW		49	XTB2+5F	SCREW	
5	RKMD216-K	CABINET		50	RSC0334	SHIELD PLATE	
6	SJPA11-1	SHORT PIN		51	RSC0341	SHIELD PLATE	
7	XTBS3+8JFZ1	SCREW		52	SHW47L30	SPACER	
8	XTB3+8JFZ	SCREW		53	REX0524	CONNECTOR ASS'Y (7P)	
9	RDG0222	DAMPER GEAR (A)		54	REX0525	CONNECTOR ASS'Y (3P)	
10	RDG0229	DAMPER GEAR (B)		55	REX0526	CONNECTOR ASS'Y (3P)	
11	RDK0021	LOCK ARM		56	REX0529	CONNECTOR ASS'Y (4P)	
12	RGK0525-K	FULCRUM ORNAMENT (L)		57	REX0530	CONNECTOR ASS'Y (9P)	
13	RGK0526-K	FULCRUM ORNAMENT (R)		58	REX0531	CONNECTOR ASS'Y (7P)	
14	RGRO173A-A	REAR PANEL	(EG)	59	REX0532	CONNECTOR ASS'Y (4P)	
14	RGRO173A-B	REAR PANEL	(EB)	60	REX0527	CONNECTOR ASS'Y (3P)	
14	RGRO173B-A	REAR PANEL	(G)	61	REX0528	CONNECTOR ASS'Y (3P)	
15	RGU0609-K	PUSH KNOB		62	XTBS3+8JFZ1	SCREW	(G)
16	RGU0830-K	PANEL COVER OPEN BUTTON				PACKING MATERIAL	
17	RGU0890-K	POWER SWITCH BUTTON				ACCESSORIES	
18	RGW0105-K	KNOB		A1	RPG1585	PACKING CASE	(EG, G)
19	RHD30011	SCREW		P1	RPG1586-1	PACKING CASE	(EB)
20	RHN0001	NUT		P2	RPND688	CUSHION	
21	RFKNC2000EGC	DOOR ASS'Y		P3	RPQ0164	PAD	(EG, G)
22	RFKJUC2000EG	RUBBER BASE ASS'Y		P3	RPQ0281	PAD	(EB)
23	RMA0628A	BOTTOM PLATE		P4	RPD100	PROTECTION SHEET	
24	RMA0631A	TRANSFORMER BASE		P5	RPH0101	KRAFT PAPER	
25	RMA0651	DOOR ORNAMENT (L)		P6	SPP730	PROTECTION BAG	
26	RMA0652	DOOR ORNAMENT (R)				ACCESSORIES	
27	RMA0700	VOLUME ORNAMENT		A1	RFKSUC2000EG	INSTRUCTION MANUAL ASS'Y	(EG)
28	RMBO301	LOCK SPRING		A1	RQT1994-B	INSTRUCTION MANUAL	(EB)
29	RMF0050	CAPACITOR HOLDER RUBBER		A1	RFKSUC2000G	INSTRUCTION MANUAL ASS'Y	(G)
30	RMG0013A-K	TRANSFORMER RUBBER		A2	EUR642210	REMOTE CONTROL TRANSMITTER	
31	RMMD191	CHASSIS		A2-1	UR64EC1371	BATTERY COVER	FOR R/C TRANSMITTER
32	RMRO623-N	LOCK PIN		A3	RJA0019-2K	AC POWER SUPPLY CORD	(EG, G) Δ (SF)
33	RMX0084	RUBBER BASE SPACER		A3	VJA0733	AC POWER SUPPLY CORD	(EB) Δ (SF)
34	RFKUC2000EG	FRONT PANEL ASS'Y		A4	RQAD013	WARRANTY CARD	(EG, EB)
35	RGU0936-K	MUTING BUTTON		A5	RQC0169	SERVICENTER LIST	
36	SHE187-2	P. C. B. SUPPORT		A6	SQX40026	CAUTION LABEL	
37	SHR8006	SPACER		A7	RQLA0134	VOLTAGE CAUTION LABEL	(G)
38	SJS9231A	AC INLET COVER		A8	SJPS213-2	POWER PLUG ADAPTOR	(G) Δ
39	SKL306	FOOT					
40	SNE2123	GND TERMINAL					
41	XNS12	NUT					
42	XTBS26+8J	SCREW					

Ref. No.	Part No.	Part Name & Description	Remarks	Ref. No.	Part No.	Part Name & Description	Remarks
		INTEGRATED CIRCUIT (S)		D701-708	D1NK20H-4084	DIODE	△
				D713	MA167	DIODE	△
IC101, 102	NJM4580DD	CLASS AA PHONO EQ AMP		D714-717	MA165	DIODE	
IC203	TC74HC42AP	RELAY DRIVE		D718	MA167	DIODE	△
IC301, 302	NJM4580DD	CLASS AA FLAT AMP				VARIABLE RESISTOR (S)	
IC501, 502	NJM4580DD	TONE/BUFFER AMP					
IC601	M37470M2204S	MICROCOMPUTER		VR201	EWCPXC010A15	VOLUME	
IC603	MN1381STA	RESET SIGNAL GENERATOR		VR501, 502	EVJYA1FA2C15	TONE CONTROLS	
IC651	TC74HC42AP	LED DRIVE		VR503	EVJ02QFA2G15	BALANCE	
IC652	BA6218	VOLUME MOTOR DRIVE				COMPONENT COMBINATION (S)	
IC701	AN78M18	REGULATOR	△				
IC702	AN79M18	REGULATOR	△	Z601	RCDHC-278	REMOTE SENSOR	
IC703	LM2940T5	REGULATOR	△	Z602	EXBF4E103J	COMPONENT COMBINATION	
IC704	M5F79M05L	REGULATOR	△			COIL (S)	
		TRANSISTOR (S)					
Q101-108	2SK369GRDVGS	TRANSISTOR		L1	SLQZ650MH49	COIL	△
Q109-112	MSC2458ABCTA	TRANSISTOR		L101-104	ELEXT101KA9	COIL	
Q113	UN4114TA	TRANSISTOR		L601	ELEXT101KA9	COIL	
Q201-206	2SB1030AQSTA	TRANSISTOR		L651, 652	ELEXT1R0KA9	COIL	
Q208, 209	2SB1030AQSTA	TRANSISTOR				TRANSFORMER (S)	
Q301, 302	2SK389BG	TRANSISTOR					
Q303-306	MSC2458ABCTA	TRANSISTOR		T1	RTP7B4B002-W	POWER TRANSFORMER	(EG, EB) △
Q401, 402	UN4114TA	TRANSISTOR		T1	RTP7B4E002-W	POWER TRANSFORMER	(G) △
Q601-606	UN4211	TRANSISTOR				OSCILLATOR (S)	
Q651, 652	UN4211	TRANSISTOR					
Q701	2SD2037DEFTA	TRANSISTOR	△	X601	EFOEC4004T4	OSCILLATOR (4MHz)	
Q702	2SB1357DEFTA	TRANSISTOR	△			SWITCH (ES)	
Q703	2SK170BLV	TRANSISTOR	△				
Q704	2SJ74BL	TRANSISTOR	△	S1	ESB8279V	POWER	△
Q707	2SB621A-R	TRANSISTOR	△	S2	ESD26200A	VOLTAGE ADJ.	(G) △
Q708	MSC2458ABCTA	TRANSISTOR	△	S501	ESB68137	MODE	
		DIODE (S)		S601	ESB68137	PHONO SELECTOR	
D101-104	MA29WA	DIODE		S603	ESB68137	DIRECT	
D105	MA165	DIODE		S604	RSR3B003-A	TAPE MONITOR	
D107-110	MA165	DIODE		S651	RSR6B003-J	INPUT SELECTOR	
D111, 112	MA700	DIODE		S652	EVQ21405R	MANUAL	
D113	MA4110MTA	DIODE		S653	EVQ21405R	MUTING	
D201-206	MA165	DIODE				CONNECTOR (S) AND SOCKET (S)	
D208, 209	MA165	DIODE					
D301-304	MA29WA	DIODE		CN606, 607	RJU066H06	SOCKET (6P)	
D305-308	MA165	DIODE		CP1	RJP1A4204	CONNECTOR (4P)	
D401, 402	MA165	DIODE		CP2	RJP1A4103	CONNECTOR (3P)	(EG, EB)
D602	1SS291TA	DIODE		CP2	RJP1A4205	CONNECTOR (5P)	(G)
D603-606	MA165	DIODE		CP201	SJT3709	CONNECTOR (7P)	
D651-658	LN018304P	L. E. D.		CP501	SJT3319	CONNECTOR (3P)	
D659	LN846RP-C	L. E. D.					
D660	LN446YP	L. E. D.					

Ref. No.	Part No.	Part Name & Description	Remarks	Ref. No.	Part No.	Part Name & Description	Remarks
CP601	SJT3907	CONNECTOR (9P)		RL101, 102	RSY0014M-0	RELAY	
CP602	SJT3709	CONNECTOR (7P)		RL201-206	RSY0014M-0	RELAY	
CP603	SJT3415	CONNECTOR (4P)		RL208, 209	RSY0014M-0	RELAY	
CP606, 607	RJTD66H06	CONNECTOR (6P)		RL401, 402	RSY0014M-0	RELAY	
CP701	SJT3611	CONNECTOR (6P)				JACK(S)	
		GND AND SHIELD PLATE(S)					
E201	SNE1004-1	GND PLATE		JK1	SJS9231-1B	AC INLET	△
E202, 203	SJT75-1	SHIELD PLATE		JK201	SJF3431-9A	PHONO/TUNER	
E204	SMC1077	SHIELD PLATE		JK202	SJF3431-9A	CD/AUX	
E205	SNE1004-1	GND PLATE		JK203	SJF3431-9A	REC/P. B. (TAPE1)	
E701	SNE1004-1	GND PLATE		JK204	SJF3431-9A	REC/P. B. (TAPE2)	
		RELAY(S)		JK401	SJF3225-5A	PRE OUT	
				JK601	RJJ33TRO1	REMOTE CONTROL OUT	

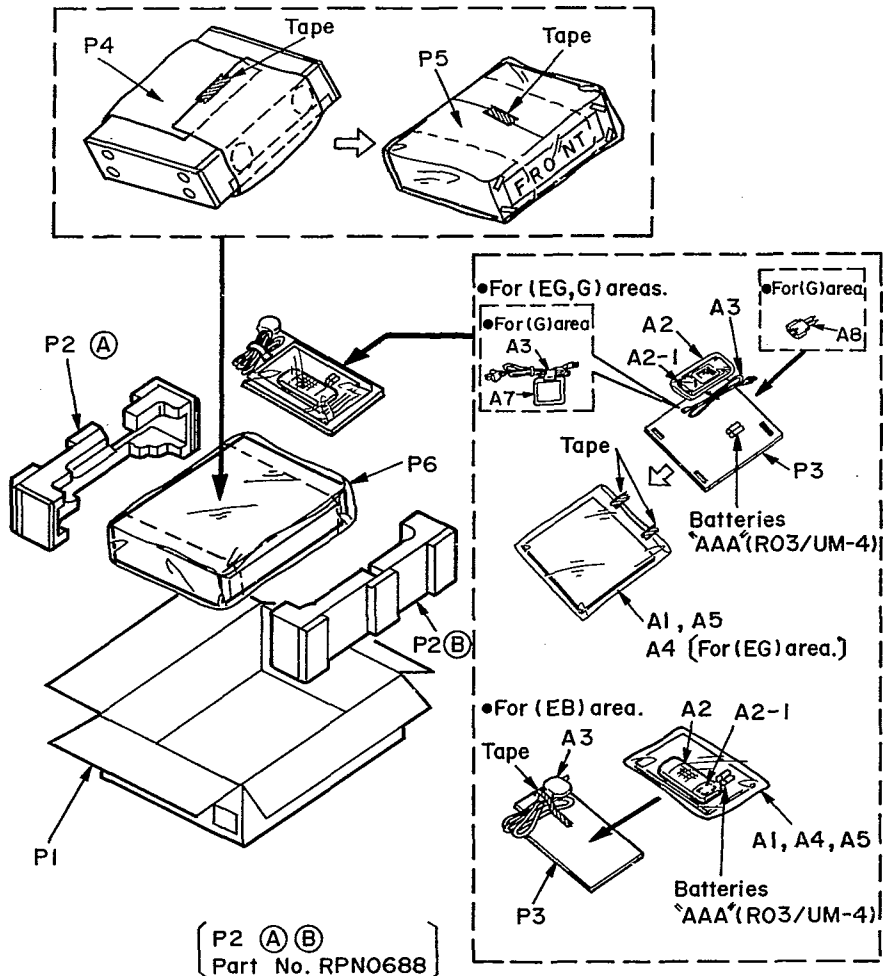
RESISTORS AND CAPACITORS

Notes : * Capacity values are in microfarads (uF) unless specified otherwise, P=Pico-farads (pF) F=Farads (F)
 * Resistance values are in ohms, unless specified otherwise, 1K=1,000 (OHM), 1M=1,000k (OHM)

Ref. No.	Part No.	Values & Remarks	Ref. No.	Part No.	Values & Remarks	Ref. No.	Part No.	Values & Remarks
		RESISTORS	R231-236	ERDAS3G103T	1/4W 10K	R521, 522	ERDAS3G273T	1/4W 27K
			R238, 239	ERDAS3G103T	1/4W 10K	R602	ERDS2TJ102	1/4W 1K
			R301, 302	ERDAS3G224	1/4W 220K	R603-606	ERDS2TJ103	1/4W 10K
R101-104	ERDAS3G561	1/4W 560	R303, 304	ERDLS2VJ561T	1/4W 560	R607	ERDS2TJ102	1/4W 1K
R105, 106	ERDAS3G221T	1/4W 220	R305-310	ERDAS3G222T	1/4W 2.2K	R608	ERDS2TJ104	1/4W 100K
R107, 108	ERDAS3G473	1/4W 47K	R311, 312	ERDAS3G333	1/4W 33K	R610-612	ERDS2TJ472	1/4W 4.7K
R109, 110	ERDS2TJ5R6	1/4W 5.6	R313, 314	ERDAS3G121	1/4W 120	R613, 614	ERDS2TJ102	1/4W 1K
R111-116	ERDAS3G102T	1/4W 1K	R315, 316	ERDS2TJ155	1/4W 1.5M	R615-618	ERDS2TJ103	1/4W 10K
R117, 118	ERDS2EJ121	1/4W 120	R317, 318	ERDLS2VJ222T	1/4W 2.2K	R651	ERDS2TJ331	1/4W 330
R119, 120	ERDAS3G333	1/4W 33K	R319, 320	ERDLS2VJ561T	1/4W 560	R652, 653	ERDS2TJ391	1/4W 390
R121, 122	ERDS2TJ102	1/4W 1K	R321, 322	ERDAS3G100T	1/4W 10	R654, 655	ERDS2TJ821	1/4W 820
R123, 124	ERDAS3G680T	1/4W 68	R323, 324	ERDAS3G102T	1/4W 1K	R656	ERDS2TJ102	1/4W 1K
R125, 126	ERDS2TJ3R9T	1/4W 3.9	R325, 326	ERDAS3G103T	1/4W 10K	R657	ERDS2TJ122	1/4W 1.2K
R127, 128	ERDS2TJ225	1/4W 2.2M	R327, 328	ERDAS3G101T	1/4W 100	R658	ERDS2TJ152	1/4W 1.5K
R129, 130	ERDS2TKF3901	1/4W 3.9K	R329, 330	ERDAS3G823T	1/4W 82K	R659	ERDS2TJ182	1/4W 1.8K
R131, 132	ERDS2CKF4702	1/4W 47K	R401, 402	ERDLS2VJ181T	1/4W 180	R660	ERDS1FVJ100T	1/2W 10 △
R133, 134	ERDAS3G101T	1/4W 100	R419, 420	ERDAS3G823T	1/4W 82K	R661	ERDS2TJ391	1/4W 390
R135, 136	ERDAS3G100T	1/4W 10	R421, 422	ERDAS3G100T	1/4W 10	R662	ERDS2TJ221	1/4W 220
R137, 138	ERDAS3G102T	1/4W 1K	R501, 502	ERDAS3G561	1/4W 560	R663	ERDS2TJ102	1/4W 1K
R139, 140	ERDAS3G101T	1/4W 100	R503, 504	ERDAS3G823T	1/4W 82K	R701, 702	ERDS2TJ684	1/4W 680K
R141, 142	ERDAS3G103T	1/4W 10K	R505, 506	ERDAS3G224	1/4W 220K	R703, 704	ERDS2TJ335T	1/4W 3.3M
R143, 144	ERDAS3G334T	1/4W 330K	R507, 508	ERDAS3G223T	1/4W 22K	R705, 706	ERQ16NKWR15E	1W 0.15 △
R145, 146	ERDAS3G561	1/4W 560	R509, 510	ERDAS3G392T	1/4W 3.9K	R709	ERDS1FVJ38R2T	1/2W 8.2 △
R147, 148	ERDS1FVJ101T	1/2W 100 △	R511, 512	ERDS2TJ243T	1/4W 24K	R710	ERDS2TJ472	1/4W 4.7K
R201, 202	ERDAS3G471T	1/4W 470	R513, 514	ERDAS3G562T	1/4W 5.6K	R711	ERDS2TJ122	1/4W 1.2K
R203, 204	ERDLS2VJ471T	1/4W 470	R515, 516	ERDAS3G102T	1/4W 1K	R712	ERDS2TJ151	1/4W 150
R205-214	ERDAS3G471T	1/4W 470	R517, 518	ERDAS3G182	1/4W 1.8K	R713	ERDS2TJ103	1/4W 10K
R227, 228	ERDAS3G104	1/4W 100K	R519, 520	ERDAS3G272T	1/4W 2.7K			

Ref. No.	Part No.	Values & Remarks	Ref. No.	Part No.	Values & Remarks	Ref. No.	Part No.	Values & Remarks
		CAPACITORS						
C1	ECKWNS102MBM	400V 1000P Δ	C301, 302	ECCR1H470JC5	50V 47P	C603	ECEA0JU102	6.3V 1000U
C103, 104	ECCD1H680KC	50V 68P	C303, 304	ECCR1H820JC5	50V 82P	C604-606	ECKR1H103ZF5	50V 0.01U
C105, 106	ECCR1H181K5	50V 180P	C305, 306	ECHR1H222JZ3	50V 2200P	C607	ECEA0JKA101B	6.3V 100U
C107, 108	ECQB1H102JF3	50V 1000P	C307, 308	ECCR1H470JC5	50V 47P	C608	ECKR1H102ZF5	50V 1000P
C111, 112	ECQB1H472JF3	50V 4700P	C309, 310	ECQV1H564JM3	50V 0.56U	C609	ECEA1HKA2R2B	50V 2.2U
C113, 114	ECKR1H102MD5	50V 1000P	C311-314	ECA1CPXS470B	16V 47U	C610	ECEA1HKA47B	50V 0.47U
C115, 116	ECA1CPXS470B	16V 47U	C315, 316	ECQV1H474JM3	50V 0.47U	C611	ECQV1H104JM3	50V 0.1U
C117, 118	ECQP1183GZW	100V 0.018U	C317, 318	ECQV1H473JM3	50V 0.047U	C651	ECQV1H104JM3	50V 0.1U
C119, 120	ECHR1H122JZ3	50V 1200P	C401, 402	ECHR1H102JZ3	50V 1000P	C652	ECEA0JKA101B	6.3V 100U
C121, 122	ECQP1683GZW	100V 0.068U	C413, 414	ECA1CBX330B	16V 33U	C653, 654	ECQV1H104JM3	50V 0.1U
C123, 124	ECQV1H473JM3	50V 0.047U	C419, 420	ECHR1H102JZ3	50V 1000P	C655	ECEA0JKA101B	6.3V 100U
C125, 126	ECA1EBX100B	25V 10U	C501, 502	ECA1HPXS3R3B	50V 3.3U	C701, 702	ECESX1H332UX	50V 3300U Δ
C127, 128	ECQB1H472JF3	50V 4700P	C503, 504	ECCR1H101JC5	50V 100P	C703, 704	ECA1CPXS472E	16V 4700U Δ
C129, 130	ECKR1H103ZF5	50V 0.01U	C505, 506	ECCR1H820JC5	50V 82P	C705, 706	ECA1EPXS470B	25V 47U
C131	ECA1CPXS101B	16V 100U	C507, 508	ECCR1H390JC5	50V 39P	C707, 708	ECA1HPXS010B	50V 1U
C132	ECA1HPXS010B	50V 1U	C509, 510	ECA1CPXS100B	16V 10U	C709, 710	ECA1EPXS100B	25V 10U
C133, 134	ECKR1H102MD5	50V 1000P	C511, 512	ECA1HPXS4R7B	50V 4.7U	C713, 714	ECA1EPXS100B	25V 10U
C135	ECKR1H103ZF5	50V 0.01U	C513, 514	ECQB1H153JF3	50V 0.015U	C719, 720	ECA1CPXS470B	16V 47U
C201-214	ECCR1H101J5	50V 100P	C515, 516	ECQV1H823JM3	50V 0.082U	C721	ECA1EBX100B	25V 10U
C221	ECA1CPXS470B	16V 47U	C517, 518	ECQB1H182JF3	50V 1800P	C722, 723	ECA1EPXS100B	25V 10U
C231-236	ECA1EPXS100B	25V 10U	C519, 520	ECQB1H183JF3	50V 0.018U	C724	ECKR1H103ZF5	50V 0.01U
C238, 239	ECA1HPXS4R7B	50V 4.7U	C523, 524	ECKR1H103ZF5	50V 0.01U	C725, 726	ECQV1H104JM3	50V 0.1U
			C525-527	ECKT1H223ZF	50V 0.022U	C727-734	ECKR1H103ZF5	50V 0.01U
			C602	ECEA0JKA470B	6.3V 47U			

PACKAGING



927